

Example

Excel Electrical (Furness)Ltd
Offer Number: Example



Project Overview

PV System

Grid-connected PV System with Electrical Appliances and Battery Systems

Climate Data	Blackpool Airport, GBR (1996 - 2015)
Values source	Meteonorm 8.1
PV Generator Output	7.38 kWp
PV Generator Surface	35.1 m ²
Number of PV Modules	18
Number of Inverters	1
No. of battery systems	1

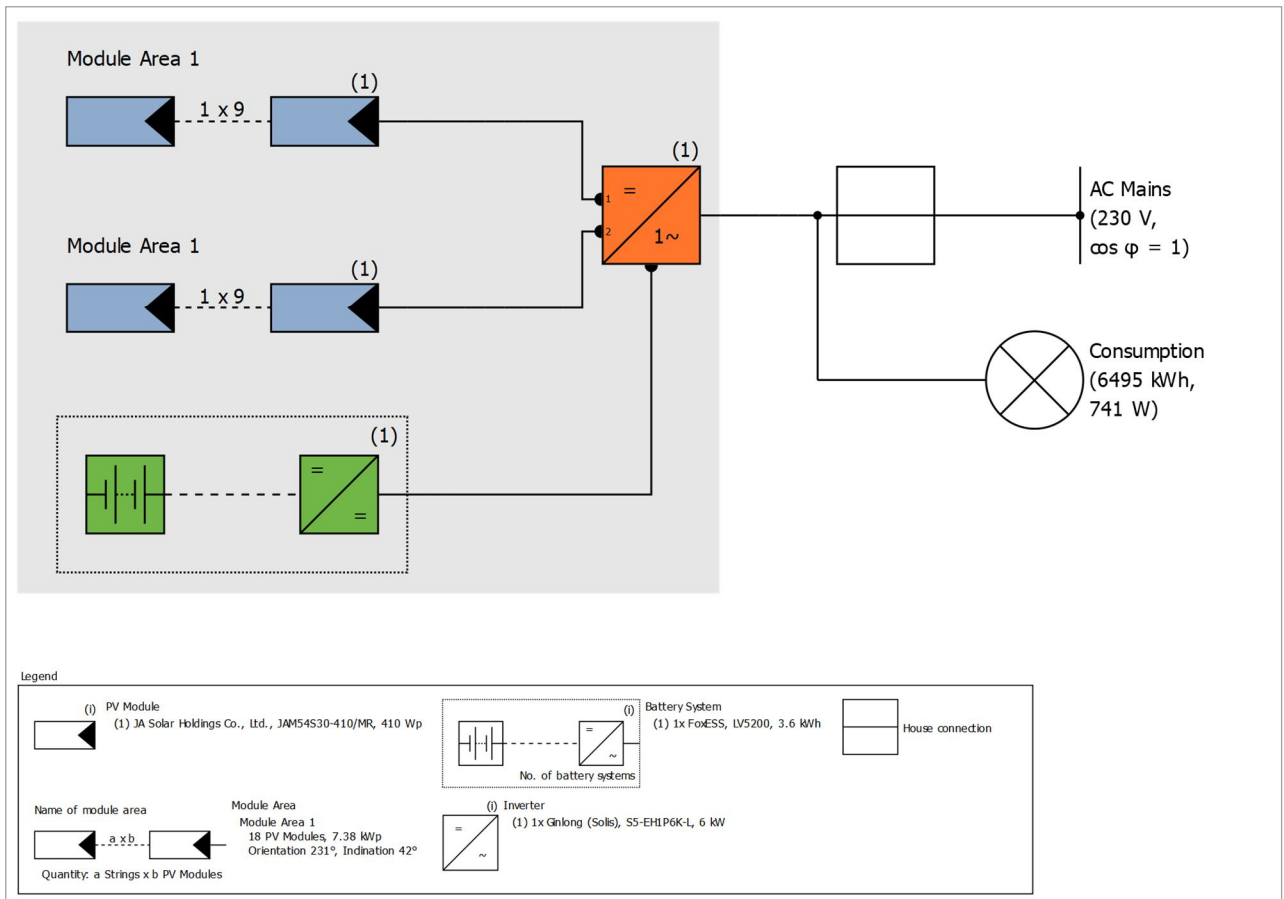


Figure: Schematic diagram